



Hammond Power Solutions Inc.

your *first*
source for
transformers



HPS PowerPlus™

Mini Power Centers

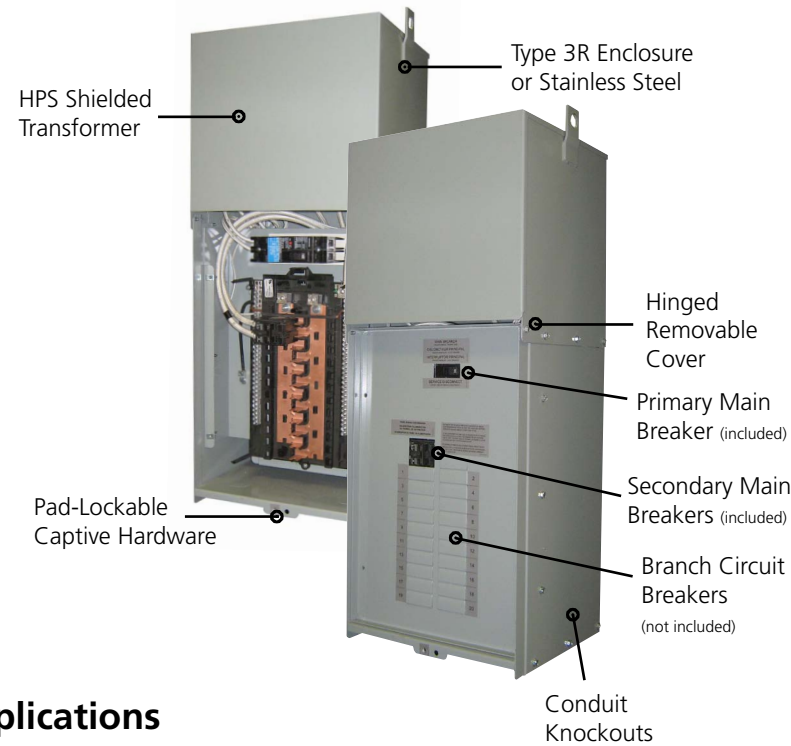
Other HPS Products



www.hammondpowersolutions.com

HPS PowerPlus™ is your compact economical solution!

HPS PowerPlus™ is a convenient pre-wired power center that saves you time, money, and space. HPS PowerPlus™ combines a pre-wired primary breaker, secondary power panel, and dry-type shielded transformer in a Type 3R enclosure. Simply add the required secondary breaker and you effortlessly have a power center that is ready for indoor or outdoor use!



Features

- Type 3R indoor/outdoor enclosure (optional 316 Stainless Steel enclosure available)
- 480 Primary, 120/240 Secondary
- Single Phase, 60 Hz Frequency
- 5, 7.5, 10, 15, 25 kVA available
- Shielded transformer
- 180° insulation class
- 115° temperature rise
- Primary taps: 2 - 5% FCBN
- Meet NEMA, ANSI, & OSHA standards
- 15 year limited warranty on transformer
- 1 year limited warranty on Mini Power Center

Applications

- Industrial locations
- Temporary power at construction sites
- Commercial buildings
- Test equipment
- Plant assembly lines

Transformer: HPS shielded transformers are encapsulated for general purpose indoor or outdoor use within a variety of environments. An electrostatic shield is placed between the primary and secondary winding and grounded to reduce electrical interference and to provide additional protection.

Panel Assembly: The HPS PowerPlus™ assembly comes fully equipped with a primary & secondary main circuit breaker. It will hold up to 20 1-pole or 10 2-pole, one inch, common trip, duplex secondary branch circuit breakers and ground fault circuit breakers. Once you have established your branch circuit requirements, contact our local distributor to obtain your branch circuit breakers.

Connections: HPS PowerPlus™ accepts Aluminum or Copper conductor.

Protection: The transformer is protected by the primary main breaker, which handles high interrupting fault conditions. The N.E.C. requires a secondary breaker to be between the transformer and the panel.

Approvals: HPS PowerPlus™:

Single Phase Specifications

480 Primary 120/240 Secondary

60 Hz

| kVA Rating | Catalog Number | Winding Material | Max. Secondary Circuits* | | Overall Dimensions | | | Weight Lbs. |
|--------------------------------------|----------------|------------------|--------------------------|----------------|--------------------|--------|--------|-------------|
| | | | 120 V (1 Pole) | 240 V (2 Pole) | Width | Depth | Height | |
| Type 3R Enclosure | | | | | | | | |
| 5 | M1PC005LESF | Aluminum | 8 | 4 | 11.250 | 7.750 | 31.938 | 127 |
| 7.5 | M1PC007LESF | Aluminum | 8 | 4 | 13.875 | 11.125 | 31.938 | 201 |
| 10 | M1PC010LESF | Aluminum | 8 | 4 | 13.875 | 11.125 | 34.188 | 210 |
| 15 | M1PC015LESF | Aluminum | 12 | 6 | 15.125 | 12.500 | 34.188 | 291 |
| 25 | M1PC025LESF | Aluminum | 20 | 10 | 16.250 | 13.625 | 41.563 | 423 |
| 316 Stainless Steel Enclosure | | | | | | | | |
| 5 | M1PC005LESF7 | Aluminum | 8 | 4 | 11.250 | 7.750 | 31.938 | 127 |
| 7.5 | M1PC007LESF7 | Aluminum | 8 | 4 | 13.875 | 11.125 | 31.938 | 201 |
| 10 | M1PC010LESF7 | Aluminum | 8 | 4 | 13.875 | 11.125 | 34.188 | 210 |
| 15 | M1PC015LESF7 | Aluminum | 12 | 6 | 15.125 | 12.500 | 34.188 | 291 |
| 25 | M1PC025LESF7 | Aluminum | 20 | 10 | 16.250 | 13.625 | 41.563 | 423 |

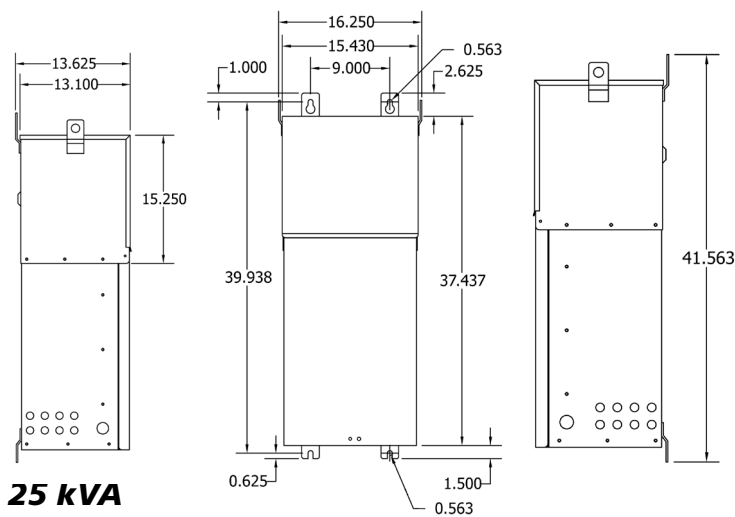
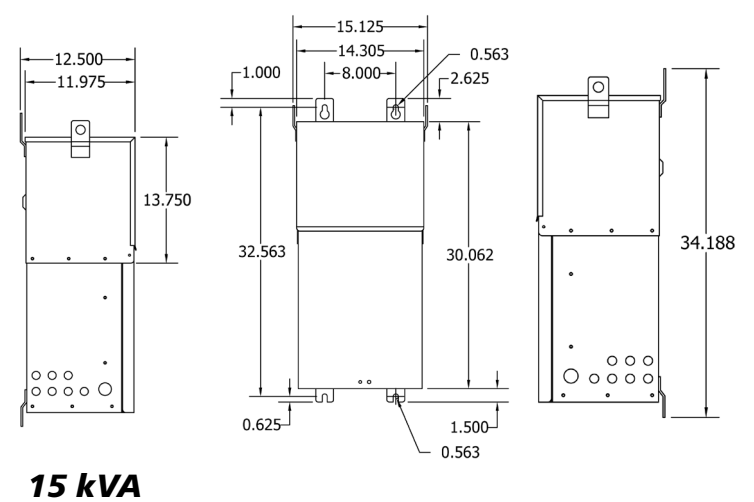
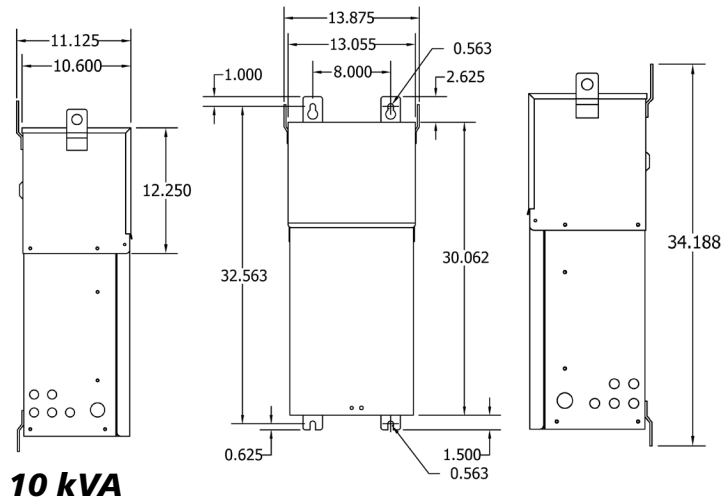
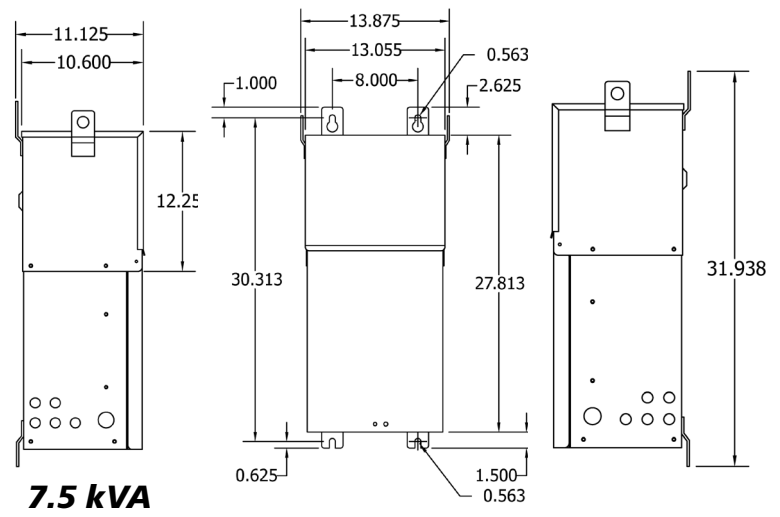
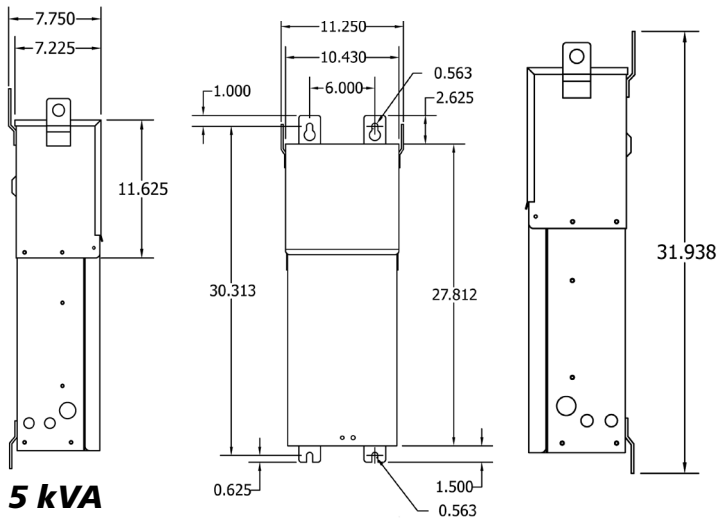
*Please contact factory for exact number of secondary circuits available.

Circuit Breaker Part Numbers

| kVA | Primary Breaker | Secondary Breaker | Max. Rating Secondary Breaker |
|-----|-----------------|-------------------|-------------------------------|
| 5 | ED42B020 | Q225 | 25 |
| 7.5 | ED42B025 | Q235 | 35 |
| 10 | ED42B035 | Q250 | 50 |
| 15 | ED42B050 | Q270 | 70 |
| 25 | ED42B090 | Q2110 | 110 |

10,000 Amps RMS Symmetrical Interrupting Capacity.
Circuit Breakers listed above are Siemens part numbers.
Breakers can be purchased from your local HPS Distributor.





Scan this QR code with your smartphone to view additional information on the HPS PowerPlus™.



CANADA

595 Southgate Drive
Guelph, Ontario N1G 3W6
Tel: (519) 822-2441
Fax: (519) 822-9701
Toll Free: (888) 798-8882

USA

1100 Lake Street
Baraboo, Wisconsin 53913-2866
Tel: (608) 356-3921
Fax: (608) 355-7623
Toll Free: (866) 705-4684